

1 2 3 4 5 6

A

A

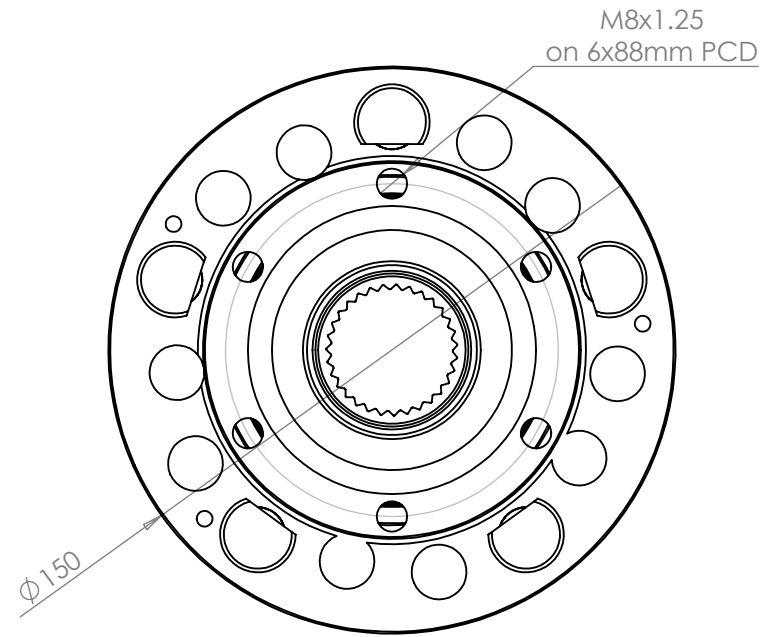
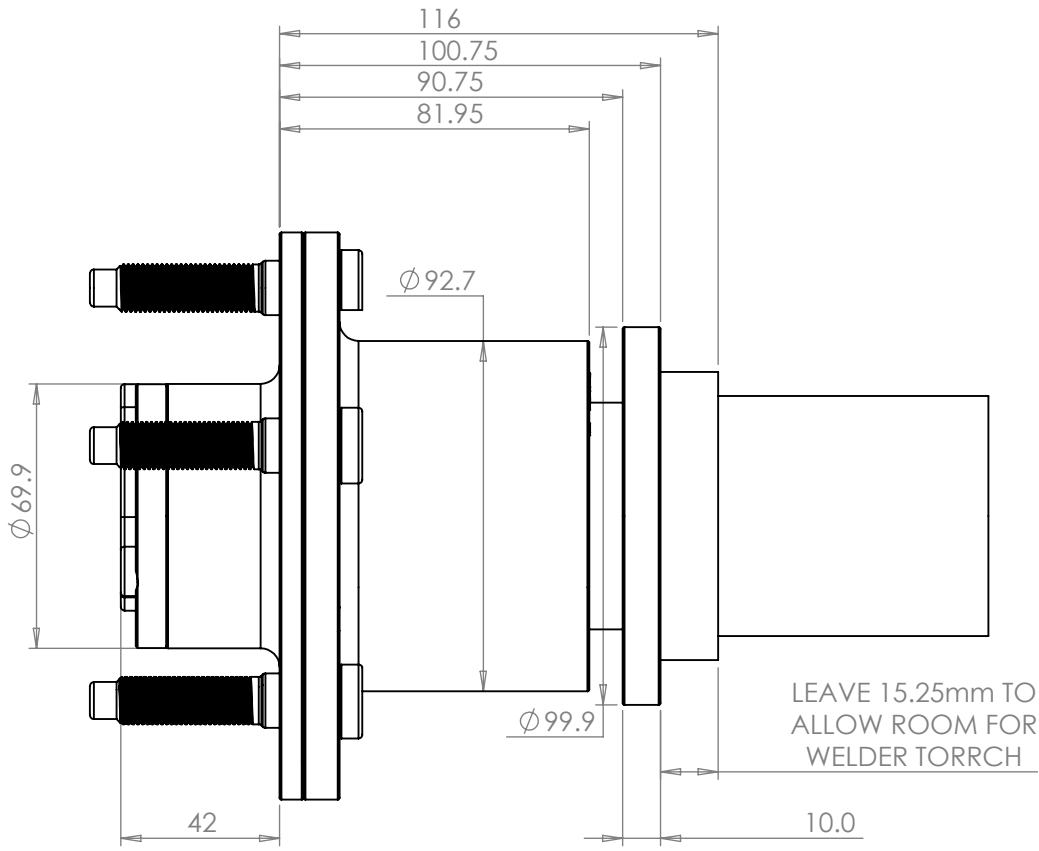
B

B

C

C

D



FINISH: DEBUR AND BREAK ALL SHARP EDGES WITH .5mm FILLET UNLESS SPECIFIED	DO NOT SCALE DRAWING	REVISION A
	RACE PRODUCTS	
	DESCRIPTION. 1500 SERIES INSTALLATION WITH 1517 SPINDLE	A4
	PART NO.	DWG NO.
	SCALE:1:2	SHEET 1 OF 1

ISSUE	REVISION	NAME	DATE	ALL DIMENSIONS ARE IN MILLIMETERS UNLESS SPECIFIED	GENERAL TOLERANCES	NAME	SIGNATURE	DATE	MATERIAL:	
A	INITIAL RELEASE	DC	10/04/13	THIS DRAWING OR DESIGN IS STRICTLY CONFIDENTIAL AND REMAINS THE EXCLUSIVE PROPERTY OF BONNERGROVE PTY LTD AND MAY NOT BE USED OR COPIED WITHOUT THEIR WRITTEN CONSENT	NO PLACES DEC. +/- 0.25					
					1 PLACES DEC. +/- 0.10	DRAWN	DC		10/04/13	
					2 PLACES DEC. +/- 0.05	APPV'D				
					ANGULAR +/- 0.50	QA				
				ANGULAR +/- 0.25					WEIGHT:	